



PNEUMATIC BLOWER



Explosion Proof - EX C II T6 GB



AET-PF600
600MM/24" PNEUMATIC BLOWER

OPERATING POINTS

Use clean and dry compressed air. The maximum pressure of compressed air should not exceed 0.7mpa.

Otherwise high pressure may lead to a series of hazards, causing motor failure.

The influence of inlet throttling and reducing system pressure on fan performance is similar, that is, the reduction of torque is greater than the reduction of rotation speed.

The influence of exhaust throttie on fan performance is mainly in the speed, that is, the speed reduction is greater than the torque reduction.

The operating temperature of the standard model is 30°C to 65°C. We also provide fans with lower or higher operating temperature. Please consult the manufacturer for specific information.

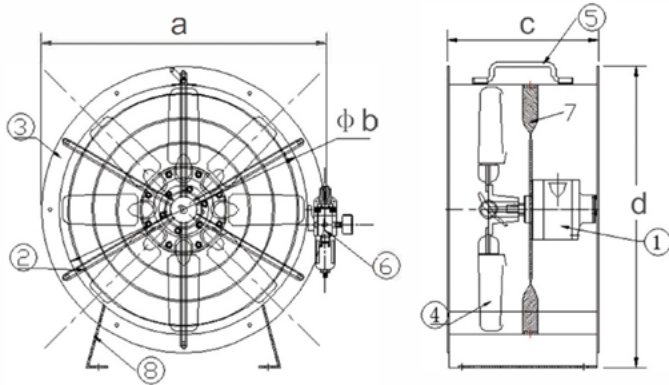
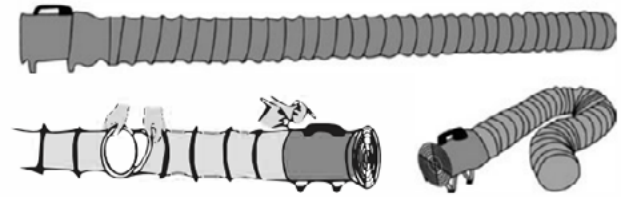
LUBRICATION

We recommend special oil for pneumatic tools (viscosity of about 30); CASROL QWS, SHELL TELIUS 32 MOBIL OILDTE 24, BP EN-ERGOL HLP 32. Please select and adjust the lubricator according to the following formula:

L = air consumption (L/s)

D = drops per minute (1 drop=15 mm³)

$L \cdot 0.2 = D$



S.N	Par
1	Air Motor
2	Mesh Cover
3	Housing
4	Wind Leaf
5	Handle
6	Air Line Filter
7	Fixed Flange
8	Bottom Foot

Stock Code	AS00714	AS00701	AS00715	AS00702
Model No.	AET-PF300	AET-PF400	AET-PF500	AET-PF600
Diameter (mm)	300	400	500	600
Working Air Pressure (Mpa)	0.6	0.6	0.6	0.6
Air volume(m ³ /h)	3800	4800	8000	9500
Speed(rpm/min)	3000	3000	3000	3000
Air Consumption (m ³ /min)	0.85	0.85	2.2	2.2
a (mm)	370	465	560	660
b (mm)	310	410	510	610
c (mm)	245/305	330/390	340/400	465/525
d (mm)	395	500	600	710