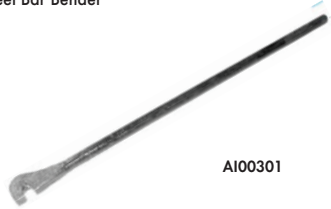


Garden & Carpentry Tools


Steel Bar Bender



AI00301

Stock Code	Size	Model No.	Size
AI00301	3/8"	AI00306	1-1/8"
AI00302	1/2"	AI00307	1-1/4"
AI00303	5/8"	AI00308	1-1/2"
AI00304	3/4"	AI00309	2"
AI00305	1"		

Crow Bar



AI00310

Stock Code	Size
AI00310	2'
AI00311	3'
AI00312	4'
AI00313	5'
AI00314	6'

5 ft H.D Scraper



AI00315

USA Long Handle Scraper



AI00316

Concrete Chisel



AI00317

Stock Code	Size
AI00317	8"
AI00318	10"
AI00319	12"


Tile Chisel



AI00320

Stock Code	Size
AI00320	1/4"
AI00321	1/2"

USA Utility Bar



60" AI00412


Japan Utility Bar



C-10 AI00413

C-9 AI00414


Wrecking Bar



AI00415

Stock Code	Size
AI00415	18"
AI00416	24"
AI00417	30"

Bar Bending & Cutting Machine



AI00323

AI00322

Stock Code	Size
AI00322	RC13
AI00323	RC16

Long Handle Shear



AI00324

Stock Code	Size
AI00324	1 BR 4
AI00325	1 BR 5